

Usb12 - OEM Contactless Card (ISO1443A/B) Reader with an USB Interface

Datasheet



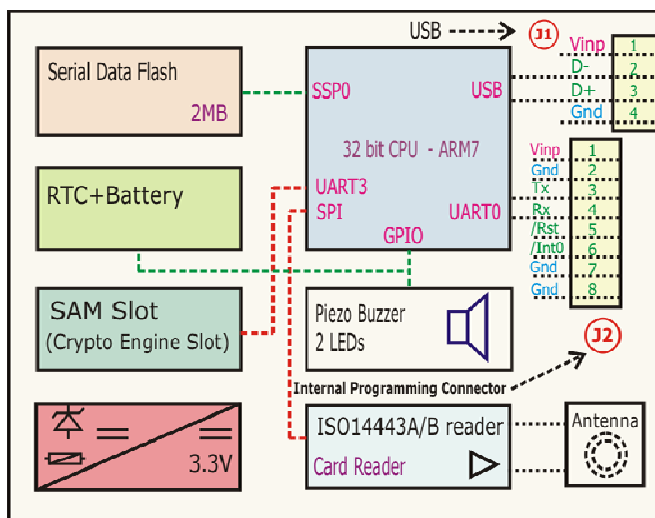
General description

Based on the popular NXP's ARM7 MCU LPC236x and the integrated ISO1443A reader IC - MFRC522, **Usb12** is an ideal choice for your system applications with contactless cards. Its affordable price, small size, rich command set greatly helps building reliable systems. Additionally, software development kit (SDK), including all necessary datasheets, application notes, example applications with full source codes, software drivers and dll, helps developers to easily develop new products, which remarkably reduces Time To Market.

Applications

- Cashless Payment Systems
- Access Control Systems
- Time and Attendance Systems
- Data Collection / Storage / Processing Systems

Block diagram



Technical specifications

- Based on a MCU with ARM7 CPU core, capable of performing 75 MIPS;
- Fully supports ISO1443A/B contactless protocol;
- Additionally supports all types of Mfiare cards (1kByte, 4kByte, Ultralight, DesFire);
- Up to 50mm reading range, depending on antenna and card;
- USB 2.0 Full speed (12MB/s);
- SAM support, securing the data by encryption/decryption;
- 2 MBytes of high speed flash memory, where card read transactions and other event logs could be stored;
- Real Time Clock;
- 1.5 A over-current protected open-drain MOSFET output;
- Over-voltage protected TTL input;
- Indications – buzzer;
- Field proven design;
- DC 10V...16V supply voltage; 50 mA ... 150 mA current consumption, depending on the antenna;
- 88 x 48 x 20 mm;
- Full functionality at -25 °C ... +75 °C environment temperatures;

Mechanical drawings

